

Main Dimensions

Length O. A. : 70.00 m
Breadth mld : 14.00 m
Depth mld : 4.35 m
Draft loaded : 3.30 m

Class Notation : ⚙ IW - Zone - I "Strengthened for Heavy Cargoes"
⚙ IY

Main Engines : 2 nos. CUMMINS marine diesel engines, model NTA-855-M, each developing 325 BHP at 1800 r.p.m.

Gear Boxes : 2 nos. ZF marine, hydraulic, model ZFW-325 with 4.409 : 1 ratio, with reverse reduction.

Refer separate sheet for Hull Equipment details.

Materials to be manufactured and tested in accordance with rules of the Society

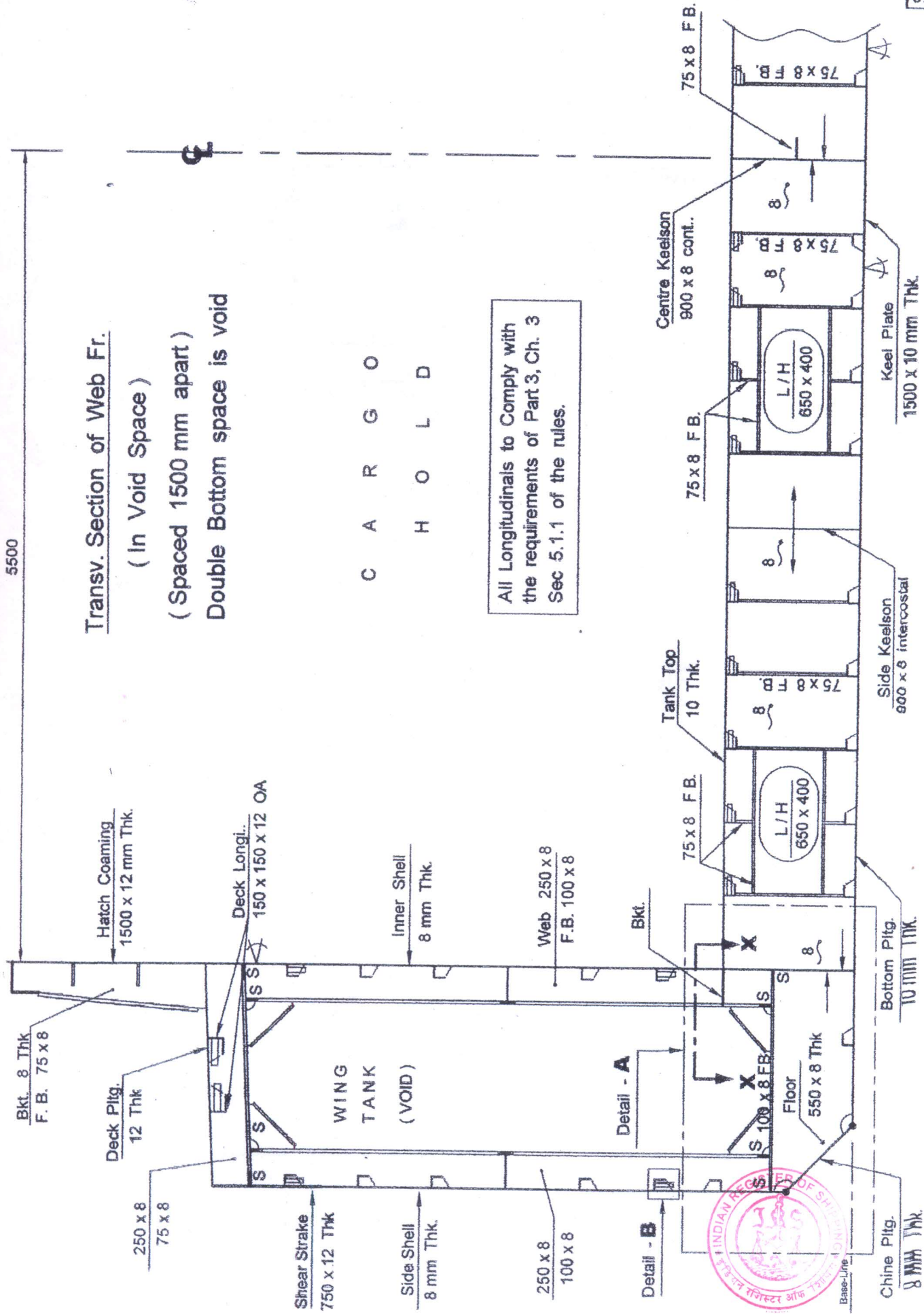
NOTE: REFER SEPARATE LETTER FOR PERMISSIBLE FREEBOARD AND MAXIMUM MEAN DRAFT.

APPROVED

[Signature]
29/11/10
Captain of the
Panaji - Goa



Vijai Marine Services Vasco - da - Gama, Goa - 403 802				
VESSEL	2200 Tons ORE BARGE			
TITLE	Midship Sections			
DRAWN	SCALE	DATE	YARD No.	DRG. No.
<i>[Signature]</i>	1:10, 1:33	April. 2010	045	680 / 02
CLIENT	M/s			



Transv. Section of Web Fr.

(In Void Space)

(Spaced 1500 mm apart)

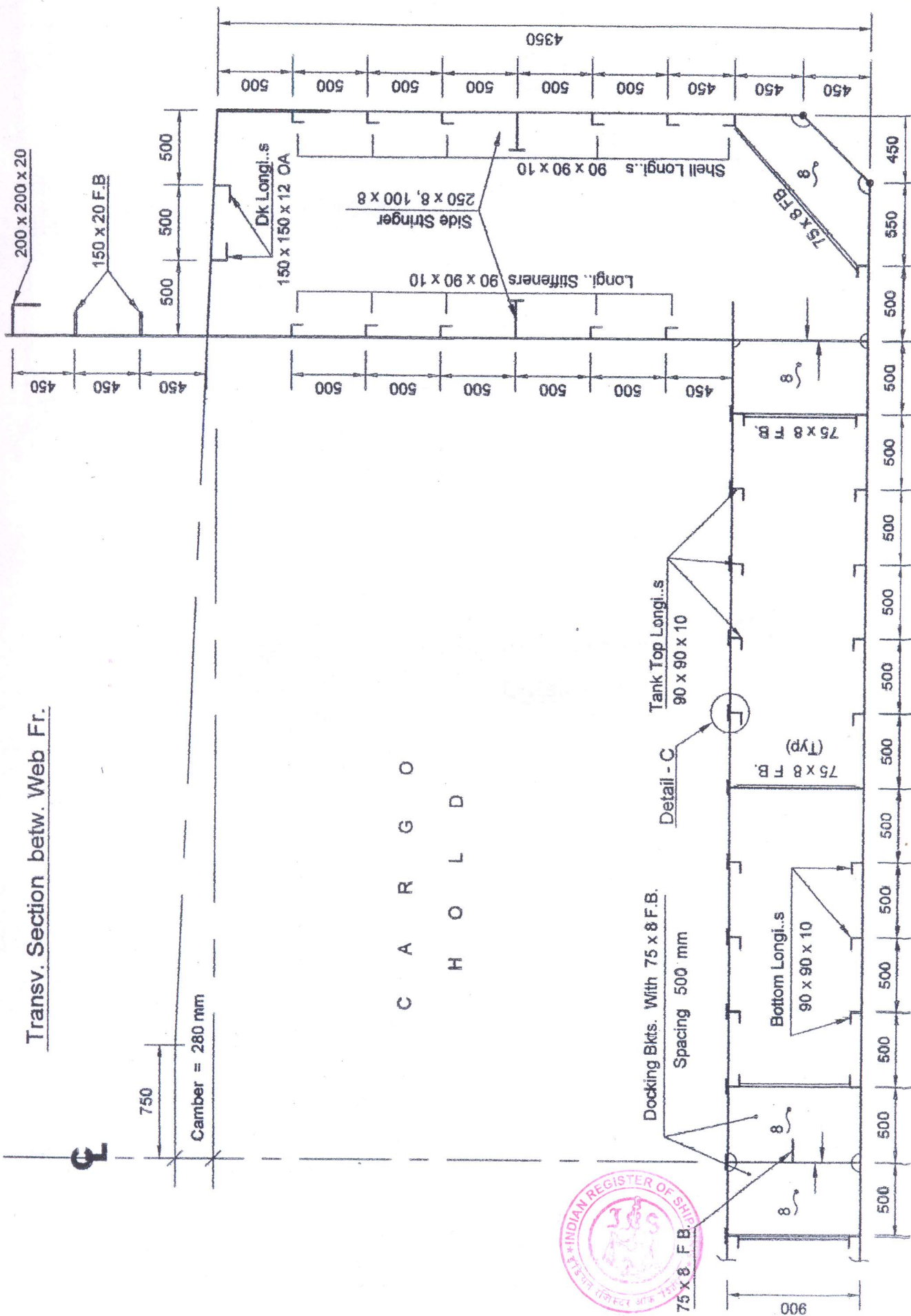
Double Bottom space is void

C A R G O
H O L D

All Longitudinals to Comply with the requirements of Part 3, Ch. 3 Sec 5.1.1 of the rules.



Transv. Section betw. Web Fr.



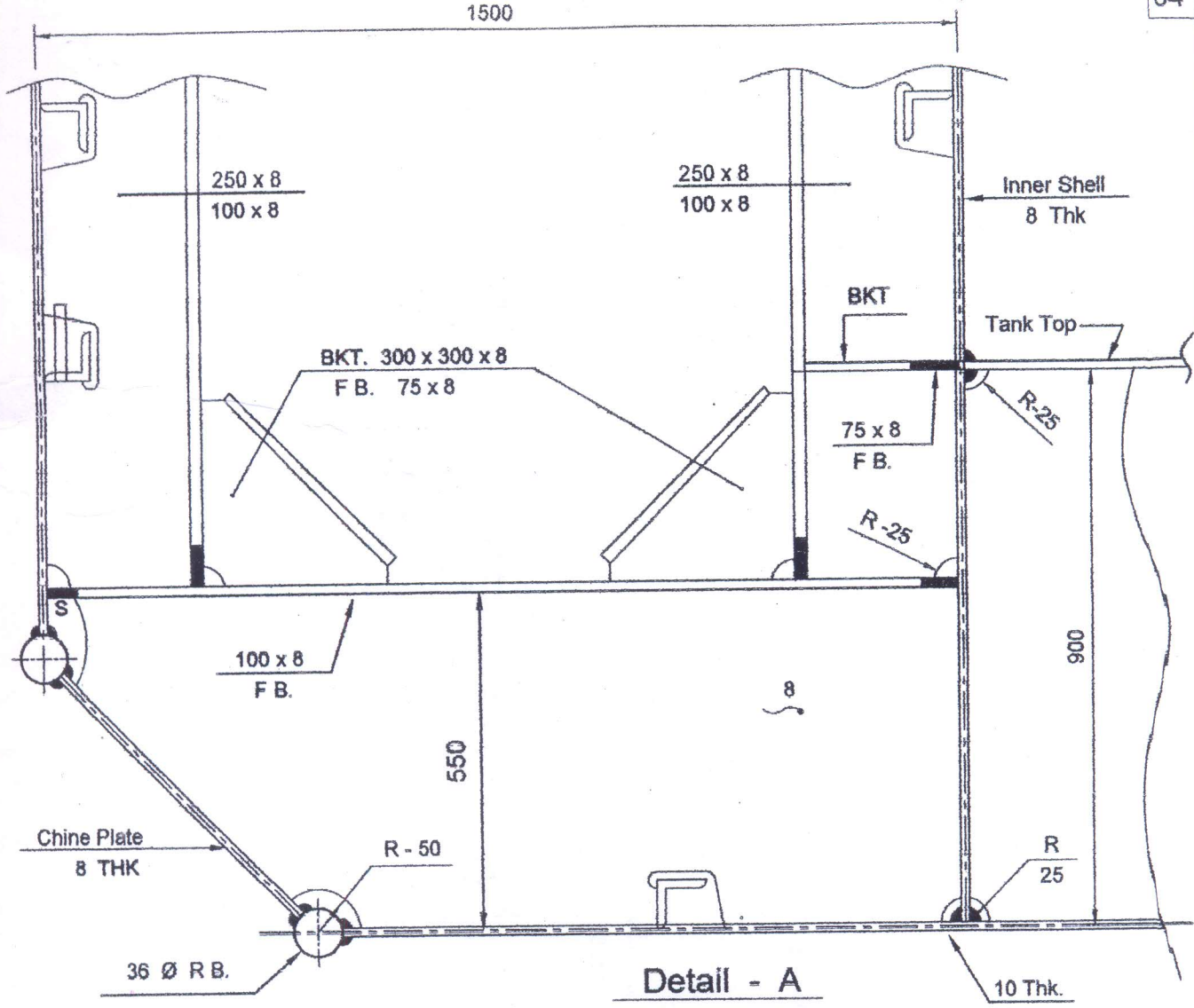
C

750
Camber = 280 mm

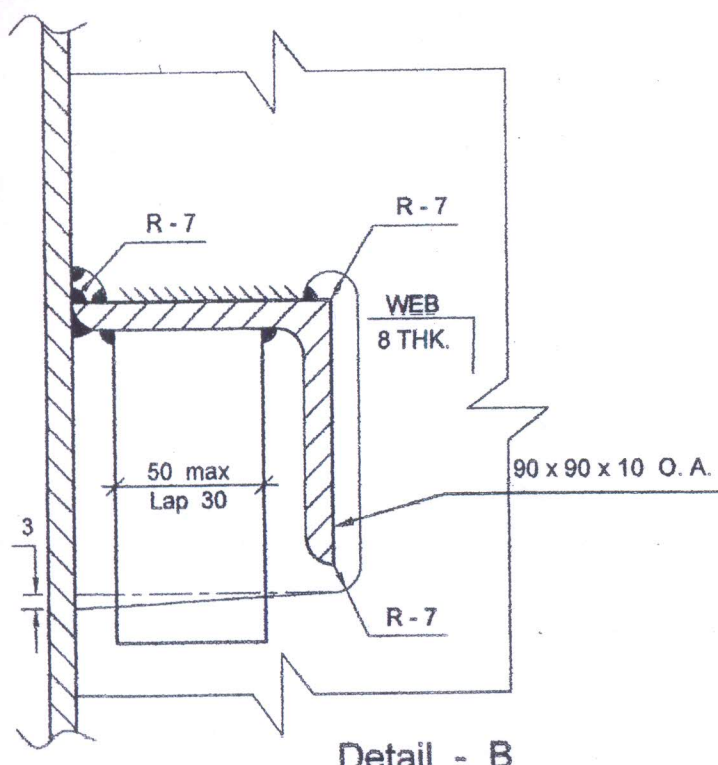
C
A
R
G
O

H
O
L
D

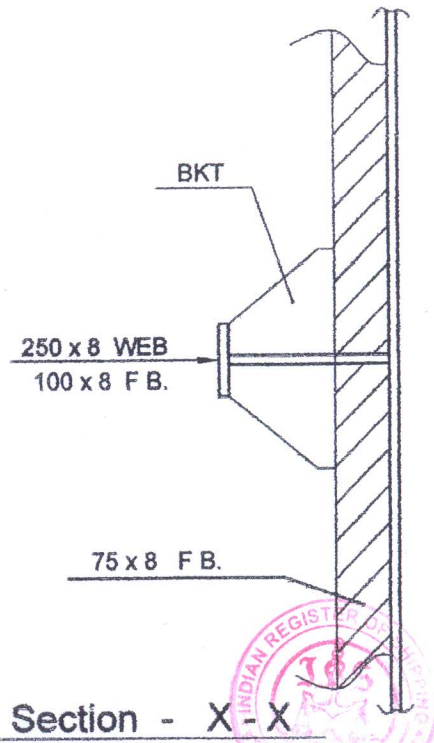




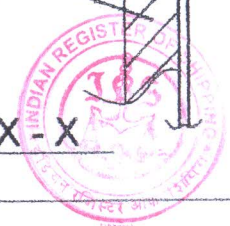
Detail - A

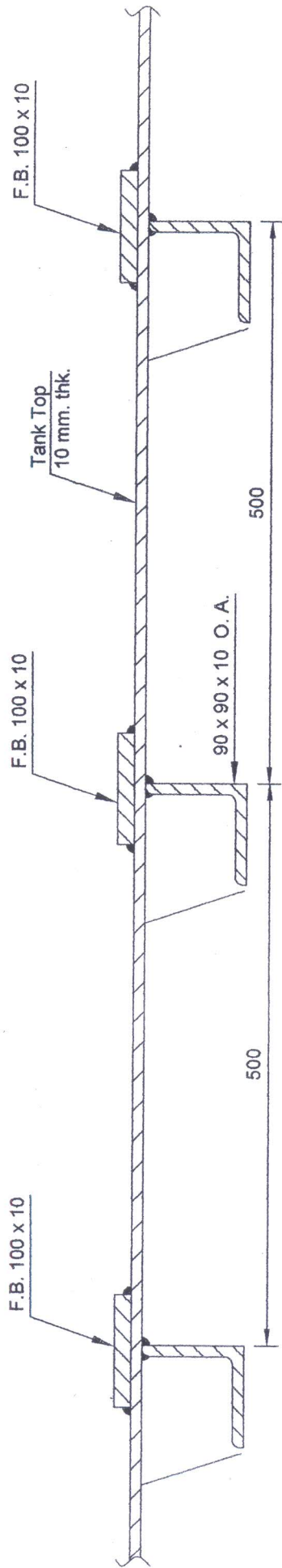


Detail - B



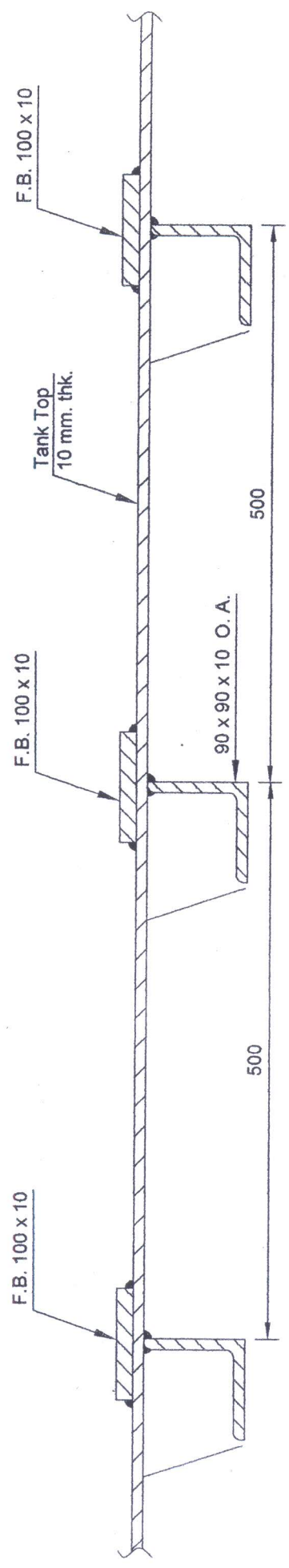
Section - X - X





Detail - C





Detail - C

